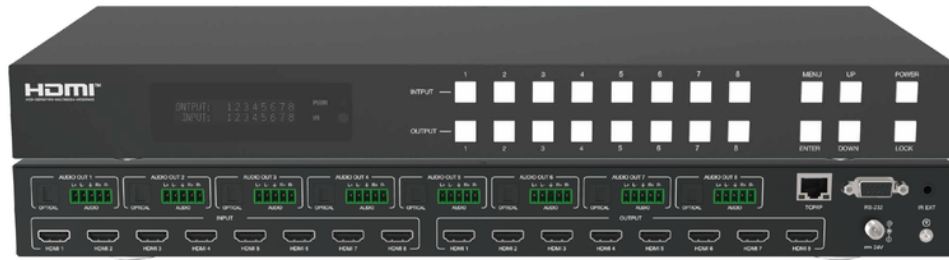


8 X 8 HDMI SEAMLESS MATRIX SWITCHER HMX88PRO

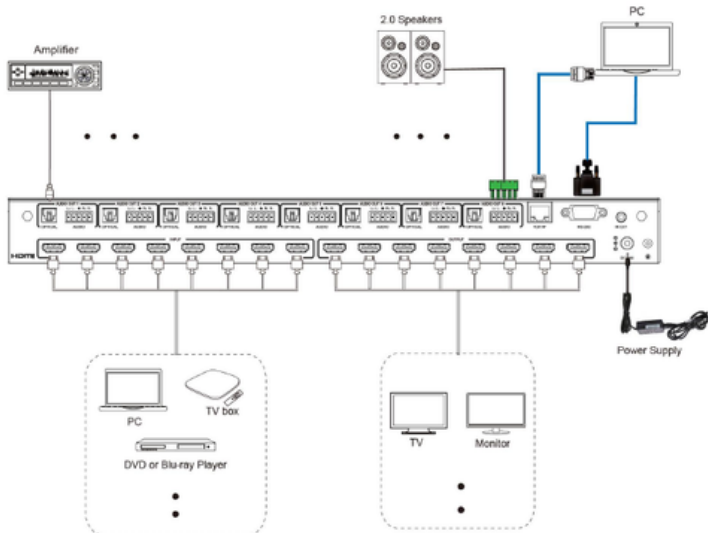


FEATURES

This 18Gbps 8x8 Seamless Matrix is a perfect solution for video transmission from 8 HDMI sources to 8 HDTV displays. It supports video resolution up to 4K@60Hz (4:4:4) and each output supports resolution downscaling individually. It features video wall, multi-view function and built-in WEB server. It also has 8 routes L/R audio output channels to output balanced audio. Seamless switching ensures a smooth picture transition without frame loss. This matrix can be controlled via front panel buttons, IR remote, RS-232 and Web GUI.

- HDMI 2.0b and HDCP2.2 compliant.
- Supports video resolution up to 4K@60Hz (4:4:4)
- Supports 18Gbps video bandwidth
- Supports seamless switching
- Supports 12 display categories in multi-view mode
- Supports 8 route L/R balanced audio output
- Each output supports horizontal and vertical mirror
- Blank screen, blue screen and output off are optional when no signal outputs
- HDMI audio formats: LPCM, Dolby Digital/Plus/EX, Dolby True HD, DTS, DTS-EX, DTS-96/24, DTS High Res, DTS-HD Master Audio
- Supports CEC control and multiple video resolution output
- Supports power-off memory and advanced EDID management
- Four methods of control: front panel buttons, IR remote, RS-232, and Web GUI,
- Compact design for easy and flexible installation, standard height for 1U

APPLICATION EXAMPLE



SPECIFICATION

SPECIFICATION	
Video	
Video Bandwidth	- 594MHz/18Gbps
Compliance	- HDMI 2.0b - HDCP 2.2
Video Resolution	- Up to 4K@60Hz (4:4:4)
Colour Space	- RGB, YCbCr 4:4:4/4:2:2, YUV 4:2:0
Colour Depth	- 8-bit, 10-bit, 12-bit
HDR Formats	- HDR10, HDR 10+, Dolby Vision, HLG
Video Input Connector	- 8 x HDMI Type A (Female)
Video Output Connector	- 8 x HDMI Type A (Female)
Audio	
Audio Formats	- HDMI IN/OUT: LPCM, Dolby Digital/Plus/EX, Dolby True HD, Dolby Atmos, DTS, DTS-EX, DTS-96/24, DTS High Res, DTS-HD Master Audio, DSD - Audio Extracted: LPCM 2.0CH/Dolby/DTS 5.1CH (Optical Outputs), LPCM 2CH (Balanced Analog Audio Outputs)
Audio Output Connector	- 8 x S/PDIF (Optical Audio Out) - 8 x 5pin-3.5mm Phoenix Connector (L/R Audio Out)
Power	
Power supply	- Input: AC 100-240V 50/60Hz - Output: DC 24V/3.75A (US/EU standard, CF/FCC/UL certified)
Power Consumption	- 70W (Max)
General	
Control Ports	- 1 x RJ45 (TCP/IP) - 1 x D-Sub 9 (RS-232) - 1 x 3.5mm Stereo Mini Jack (IR EXT)
Physical Dimension (W x D x H)	- 440mm x 300mm x 44.5mm
Weight	- 3.95kg
Housing	- Metal Enclosure (Black)
Operating Temperature	- 0 - 40 °C
Storage Temperature	- -20 - 60 °C
Relative Humidity	- 20 - 90% RH (no condensation)
Safety	
ESD Protection	- IEC 61000-4-2: ±8KV (Air-gap discharge) & ±4KV (Contact discharge)