

4 X 4 HDMI SEAMLESS MATRIX SWITCHER HMX44PRO

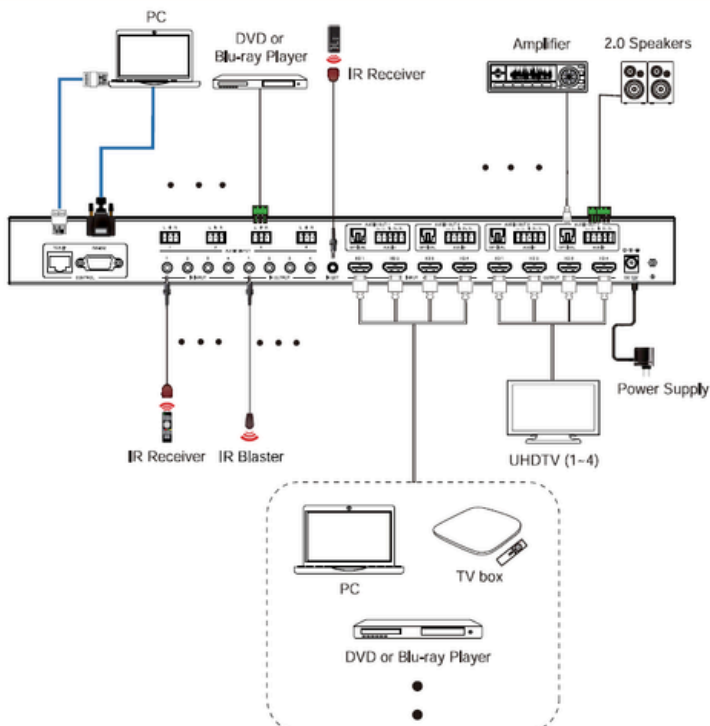


FEATURES

This 18Gbps 4x4 Seamless Matrix is a perfect solution for video transmission from 4 HDMI sources to 4 HDTV displays. It has video wall and multi-viewer functions with multiple display modes. It supports 4x4 IR matrix, audio embedded and de-embedded. Video resolution is up to 4K@60Hz (4:4:4). Each of the sources can be individually scaled. Seamless switching ensures a smooth picture transition without frame loss. This matrix can be controlled via front panel buttons, IR remote, RS-232 and Web GUI.

- HDMI 2.0 and HDCP 2.2 compliant
- Supports video resolution up to 4K@60Hz (4:4:4)
- Supports 18Gbps video bandwidth
- Supports 12 display categories in multi-viewer mode and 9 splicing modes in video wall mode
- HDMI audio format: LPCM, Dolby Digital/Plus/EX, Dolby True HD, DTS, DTS-EX, DTS-96/24, DTS High Res, DTS-HD Master Audio
- Supports CEC control and multiple video resolution output
- Supports advanced EDID management
- Four methods of control: Front panel buttons, IR remote, RS-232 and Web GUI

APPLICATION EXAMPLE



SPECIFICATION

Video	
Video Bandwidth	- 594MHz/18Gbps
Compliance	- HDMI 2.0 - HDCP 2.2
Video Resolution	- 480i ~ 1080p@50/60Hz - 4K2K@24/30Hz - 4K2K@60Hz
Colour Space	- RGB, YCbCr 4:4:4, YCbCr 4:2:2, YCbCr 4:2:0
Colour Depth	- 8/10/12-bit
HDR Support	- HDR10, HDR 10+, Dolby Vision, HLG
Video Input Connector	- 4 x HDMI Type A (Female)
Video Output Connector	- 4 x HDMI Type A (Female)
Audio	
Audio Format	- LPCM, Dolby Digital/Plus/EX, Dolby True HD, DTS, DTS-EX, DTS-96/24, DTS High Res, DTS-HD Master Audio
Audio Input Connector	- 4 x 3pin-3.81mm Phoenix Connector (L/R Audio Input)
Audio Output Connector	- 4 x S/PDIF (Optical Audio Out) - 4 x 5pin-3.81mm Phoenix Connector (L/R Audio Out)
Power	
Power supply	- Input: AC 100-240V 50/60Hz - Output: DC 12V/2.5A (US/EU standard, CE/FCC/UL certified)
Power Consumption	- 25W (Max)
General	
Control Ports	- 1 x RJ45 (TCP/IP) - 1 x D-Sub 9 (RS-232) - 1 x 3.5mm Stereo Mini Jack (IR EXT) - 4 x 3.5mm Stereo Mini Jack (IR Input) - 4 x 3.5mm Stereo Mini Jack (IR Output)
Physical Dimension (W x D x H)	- 440mm x 203mm x 44.5mm
Weight	- 2.55kg
Housing	- Metal Enclosure (Black)
Operating Temperature	- 0 - 40 °C
Storage Temperature	- -20 - 60 °C
Relative Humidity	- 20 - 90% RH (no condensation)
Safety	
ESD Protection	- IEC 61000-4-2: ±8KV (Air-gap discharge) & ±4KV (Contact discharge)