

4K HDMI/USB-C HDBaseT WALL PLATE EXTENDER 120M WP120USBC

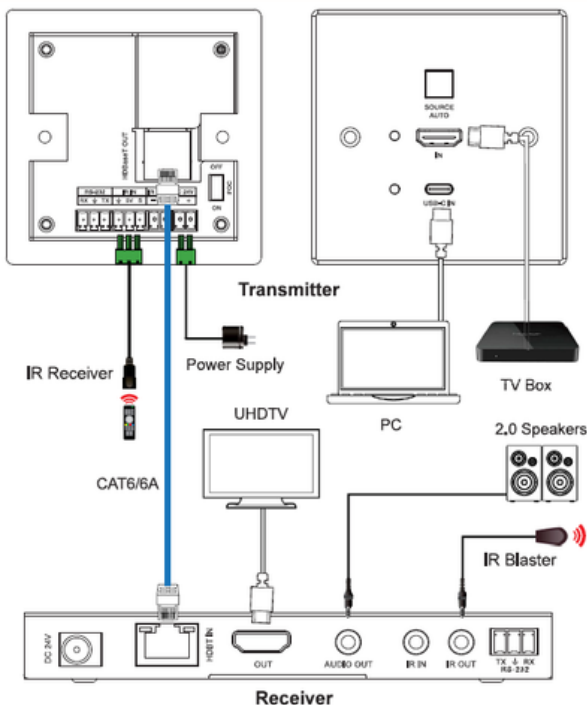


FEATURES

This HDMI/USB-C HDBT Wall-plate Extender can extend signals up to 492ft/150m for 1080p@60Hz or 394ft/120m for 4K2K@60Hz (4:4:4) via a single CAT6/6a cable. The wall-plate transmitter features one HDMI input and one USB-C input port, supporting manual and automatic switching modes. The box receiver features one HDMI output and one 3.5mm de-embedding audio output. It supports bi-directional POC, bi-directional IR and RS-232 signal transmission. This multifunctional extender can be widely used in scenarios of demonstration, video conference, multimedia teaching and other HDMI signal extension occasions.

- DP 1.4, HDCP 2.2 compliant
- Transmitter with 1-Gang UK 86mmx86mm wall plate supports two inputs: 1xHDMI and 1xUSB-C
- Video resolution is up to 4K2K@60Hz (4:4:4) and video bandwidth is 18Gbps
- Supports auto switching and manual switching
- The maximum transmission distance is up to 394ft/120m for 4K2K@60Hz (4:4:4) or 492ft/150m for 1080p@60Hz (4:4:4) via CAT6/6a cable
- Supports audio format: LPCM 7.1CH, Dolby TrueHD and DTS-HD Master Audio
- Supports HDR, HDR10, HDR10+, Dolby Vision, HLG pass-through
- Bi-directional IR, RS-232 and CEC control signal transmission
- Support bi-directional POC

APPLICATION EXAMPLE



SPECIFICATION

Technical

Bandwidth	- 18Gbps
Compliance	- HDMI 2.0b - HDCP 2.2
Compression Standard	- HDBT
Transmission Distance	- Up to 394ft/120m for 4K2K@60Hz 4:4:4 via CAT6/6A Cable - Up to 492ft/150m for 1080P@60Hz 4:4:4 via CAT6/6A Cable
Video Resolution	- Up to 4K2K@60Hz 4:4:4 - Including all 3D TV format - Including all resolution in computer such as 1920x1200
Colour Space	- RGB / YCbCr 4:4:4, YCbCr 4:2:2 / 4:2:0
Colour Depth	- 8/10/12-bit
HDMI Audio Format	- LPCM2.0/2.1/5.1/6.1/7.1, Dolby Digital, Dolby TrueHD, Dolby Digital Plus (DD+), DTS-ES, DTS HD Master, DTS HD-HRA, DTS-X

Transmitter

HDBT	- 1 x RJ45 (Female)
Video Input Connector	- 1 x HDMI Type A (Female)
Other Connector	- 1 x USB-C - 1 x 3pin-3.5mm Phoenix Connector (RS232) - 1 x 3pin-3.5mm Phoenix Connector (IR In) - 1 x 2pin-3.5mm Phoenix Connector (IR Out)

Receiver

HDBT	- 1 x RJ45 (Female)
Video Output Connector	- 1 x HDMI Type A (Female)
Other Connector	- 1 x 3.5mm stereo mini-jack (Audio Out) - 1 x Mini-USB (for update) - 1 x 3pin Phoenix Connector (RS232) - 1 x 3.5mm stereo mini-jack (IR In) - 1 x 3.5mm stereo mini-jack (IR Out)

Power

Power supply	- Input: AC 100-240V 50/60Hz - Output: DC 24V/1A (US/EU standards, CE/FCC/UL certified)
Power Consumption	- Transmitter: 4.5W (Max); Receiver: 4.7W (Max)

General

Physical Dimension (W x D x H)	- 86mm x 86mm x 40mm (Transmitter) - 140mm x 65mm x 18mm (Receiver)
Weight	- 0.215kg (Transmitter) - 0.155kg (Receiver)
Housing	- Transmitter: Metal Enclosure (White + Black) - Receiver: Metal Enclosure (Black)
Operating Temperature	- 0 - 40 °C
Storage Temperature	- -20 - 60 °C
Humidity	- Operating Humidity: 20 - 80% Relative Humidity (no condensation) - Storage Humidity: 10 - 90% Relative Humidity (no condensation)

Safety

ESD Protection	- IEC 61000-4-2: ±8kV (Air-gap discharge) & ±4kV (Contact discharge)
----------------	--